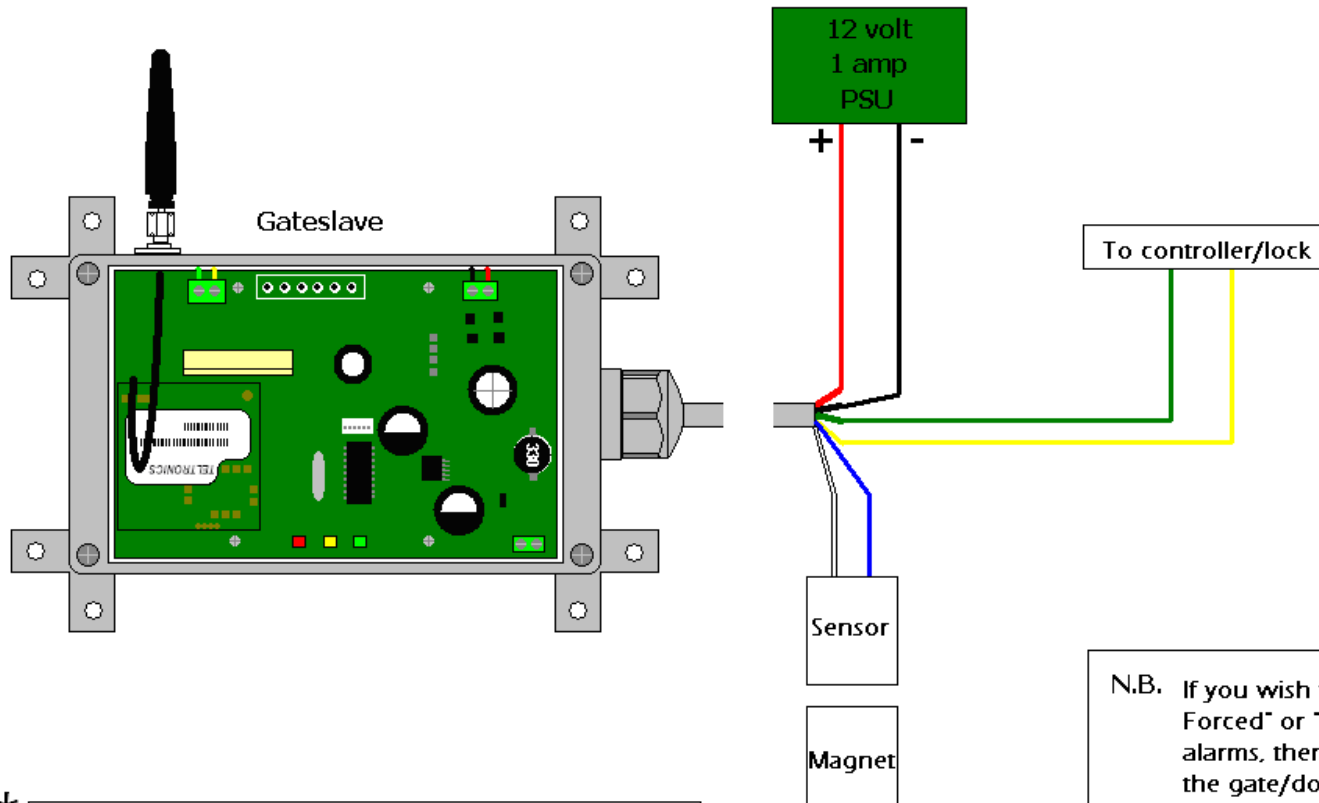


## Interface to gate or door alarm



\* The magnet is normally mounted on the door or gate and the sensor on the door jam or gate post. Polarity is unimportant.

N.B. If you wish to use the "Door/Gate Forced" or "Door/Gate held open" alarms, then use a set of contacts on the gate/door which are closed when a magnet is close to them. These are standard gate/door alarm contacts.