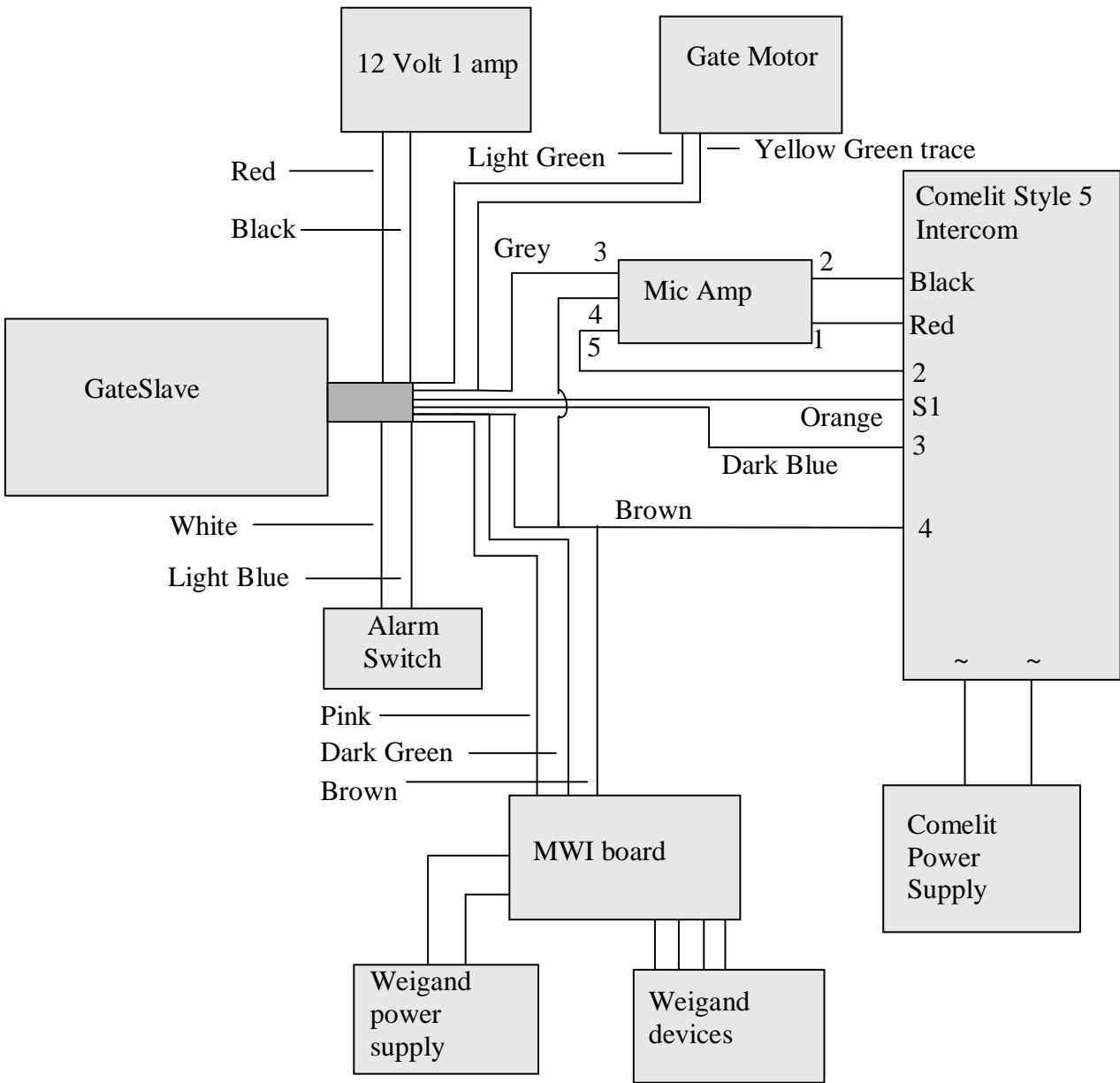


GateSlave Intercom 40 and 400 connections.



Wiring to the Gateslave :

- Red and Black, power in from a 12 volt 1 amp supply. If d.c then red is positive.
- Yellow with green trace and light green, relay normally open contacts.
- White and light blue, alarm contacts if used.
- Pink and dark green, Weigand D0 D1 if needed.
- Grey microphone of intercom from VVS board, dark blue speaker of intercom.
- Brown is common zero volts and orange is intercom push button.